

FireLock™ Series FL-SR/DRY

Standard Coverage Standard Response

Dry Upright, Pendent and Recessed Pendent Sprinklers

K5.6 (8.1 SI), K8.0 (11.5 SI)



1.0 PRODUCT DESCRIPTION

UPRIGHT STANDARD RESPONSE DRY SPRINKLERS		
SIN	V3601	V3603
Orientation	UPRIGHT	UPRIGHT
K-Factor ¹	5.6 Imp./8.1 S.I.	8.0 Imp./11.5 S.I.
Connection	1" NPT/25mm BSPT/1" IGS	1" NPT/25mm BSPT/1" IGS
Max. Working Pressure	175 psi (1200 kPa)	175 psi (1200 kPa)
Escutcheon	Plain	Plain
Globe Equivalent	GL5683	GL8183

PENDENT STANDARD RESPONSE DRY SPRINKLERS		
SIN	V3605	V3607
Orientation	PENDENT	PENDENT
K-Factor ¹	5.6 Imp./8.1 S.I.	8.0 Imp./11.5 S.I.
Connection	1" NPT/25mm BSPT/1" IGS	1" NPT/25mm BSPT/1" IGS
Max. Working Pressure	175 psi (1200 kPa)	175 psi (1200 kPa)
Escutcheon	Plain/Flush/Sleeve and Skirt/Extended	Plain/Flush/Sleeve and Skirt/Extended
Globe Equivalent	GL5680	GL8179

RECESSED PENDENT STANDARD RESPONSE DRY SPRINKLERS		
SIN	V3605	V3607
Orientation	PENDENT	PENDENT
K-Factor ¹	5.6 Imp./8.1 S.I.	8.0 Imp./11.5 S.I.
Connection	1" NPT/25mm BSPT/1" IGS	1" NPT/25mm BSPT/1" IGS
Max. Working Pressure	175 psi (1200 kPa)	175 psi (1200 kPa)
Escutcheon	Recessed	Recessed

Globe Equivalent	GL5680	GL8179
------------------	--------	--------

AVAILABLE GUARDS/SHIELDS			
SPRINKLER	V34/V36	V34/V36 Intermediate Shield	V34/V36 Int. Shield/Guard
Upright	■		■
Pendent	■	■	

AVAILABLE WRENCHES			
SPRINKLER	V36 Recessed	V36 Open End	3/16 Hex-Bit (V9)
Upright	■	■	■
Pendent	■	■	■

Factory Hydrostatic Test: 100% @ 500 psi/3447 kPa/34 bar

Min. Operating Pressure: Pendent: 7 psi/48 kPa/.5 bar
Upright: 12 psi/83 kPa/0.8 bar

Temperature Rating: See tables in section 2.0

¹ For K-Factor when pressure is measured in bar, multiply S.I. units by 10.0.

ALWAYS REFER TO ANY NOTIFICATIONS AT THE END OF THIS DOCUMENT REGARDING PRODUCT INSTALLATION, MAINTENANCE OR SUPPORT.

2.0 CERTIFICATION/LISTINGS



APPROVALS/LISTINGS		
SIN	V3601	V3603
Nominal K Factor Imperial	5.6	8.0
Nominal K Factor S.I. ²	8.1	11.5
Orientation	Upright	Upright
Escutcheon	Plain	Plain
Approved Temperature Ratings F°/C°		
cULus	135°F/57°C	135°F/57°C
	155°F/68°C	155°F/68°C
	200°F/93°C	200°F/93°C
	286°F/141°C	286°F/141°C
FM	135°F/57°C	135°F/57°C
	155°F/68°C	155°F/68°C
	200°F/93°C	200°F/93°C
	286°F/141°C	200°F/93°C
CCC	155°F/68°C	-

APPROVALS/LISTINGS				
SIN	V3605	V3607	V3605	V3607
Nominal K Factor Imperial	5.6	8.0	5.6	8.0
Nominal K Factor S.I. ²	8.1	11.5	8.1	11.5
Orientation	Pendent	Pendent	Pendent	Pendent
Escutcheon	Plain, Flush, Slv & Skt, Ext	Plain, Flush, Slv & Skt, Ext	Recessed	Recessed
Approved Temperature Ratings F°/C°				
cULus	135°F/57°C	135°F/57°C	135°F/57°C	135°F/57°C
	155°F/68°C	155°F/68°C	155°F/68°C	155°F/68°C
	200°F/93°C	200°F/93°C	200°F/93°C	200°F/93°C
	286°F/141°C	286°F/141°C	286°F/141°C	286°F/141°C
FM	135°F/57°C	135°F/57°C	135°F/57°C	135°F/57°C
	155°F/68°C	155°F/68°C	155°F/68°C	155°F/68°C
	200°F/93°C	200°F/93°C	200°F/93°C	200°F/93°C
	286°F/141°C	286°F/141°C	200°F/93°C	200°F/93°C
CCC	155°F/68°C	-	155°F/68°C	-

² For K-Factor when pressure is measured in Bar, multiply S.I. units by 10.

NOTES

- Listings and approval as of printing.
- Temperatures are listed for all hazards and approved for V3605 and V3606 dry sprinklers up to 48" length.
- CCCf approved for V3605 dry sprinklers 107 to 1250 mm/4.2 – 49.2" in length.

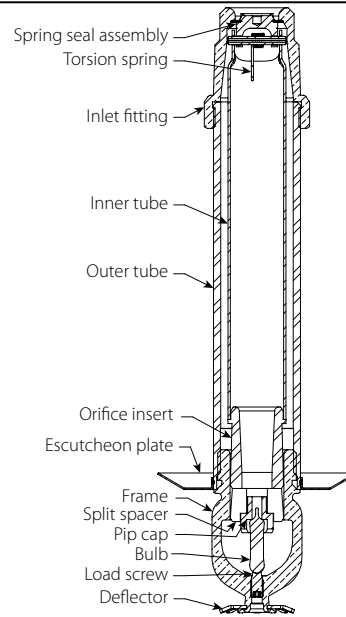
3.0 SPECIFICATIONS – MATERIAL

- Deflector:** Brass or Stainless Steel
- Bulb nominal diameter:** 5.0mm
- Split spacer:** Stainless Steel
- Load screw:** Brass
- Pip cap:** Stainless Steel
- Spring seal assembly:** PTFE Coated Beryllium Nickel Alloy and Stainless Steel
- Frame:** Brass
- Inlet fitting:** Brass
- Outer tube:** Galvanized Steel Pipe
- Inner tube:** Stainless Steel
- Orifice insert:** Stainless Steel
- Escutcheon/plate:** 1010 - 1018 mild steel and stainless steel
- Torsion spring:** SST wire
- Installation wrench:** Ductile Iron
- Sprinkler frame finishes:**
 - Plain brass
 - Chrome plated
 - White painted^{3, 4}
 - Bright White painted^{3, 4}
 - Flat black painted^{3, 4}
 - Custom painted^{3, 4}
 - VC-250⁵

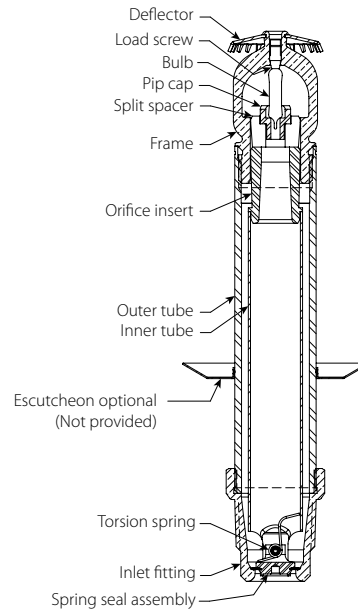
³ Not available on the Intermediate Level Style Pendant.
⁴ UL Listed for corrosion resistance.
⁵ UL Listed and FM Approved for corrosion resistance.

NOTES

- Weather resistant escutcheon available upon request.
- For cabinets and other accessories refer to separate sheet.

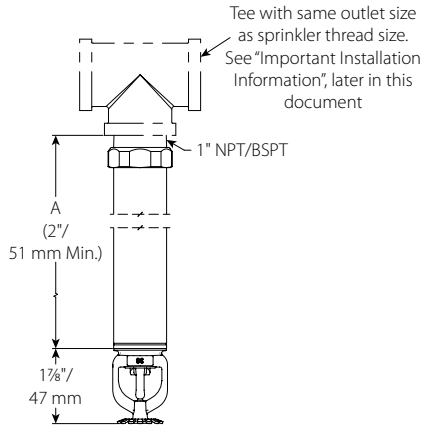


**Material Specifications
V3605, V3607**

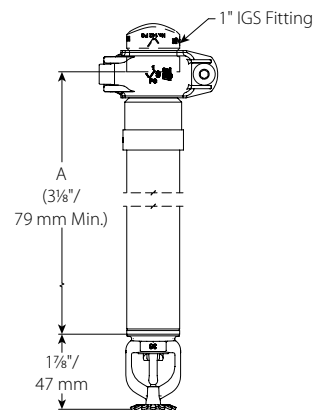


**Material Specifications
V3601, V3603**

4.0 DIMENSIONS

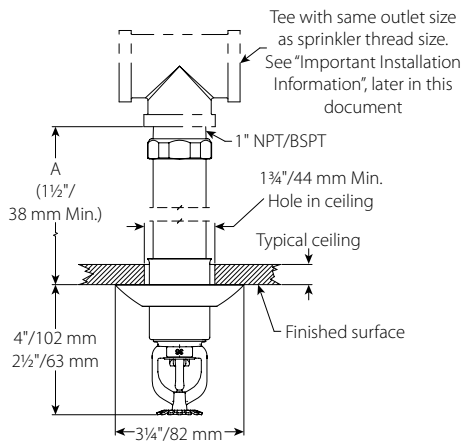


Plain Barrel, Threaded
V3605, V3607

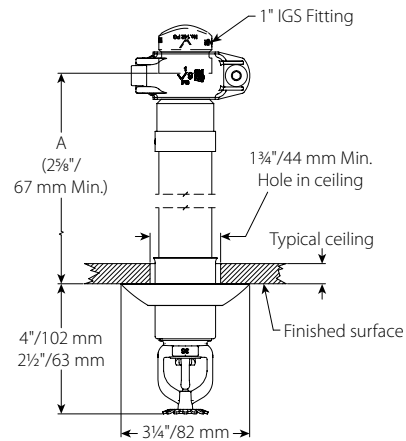


Plain Barrel, Grooved
V3605, V3607

For wet system installation or dry/preaction systems installed in areas above 40°F/5°C



Sleeve and Skirt, Threaded
V3605, V3607



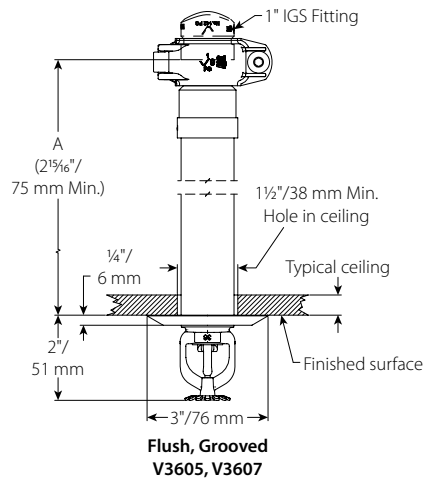
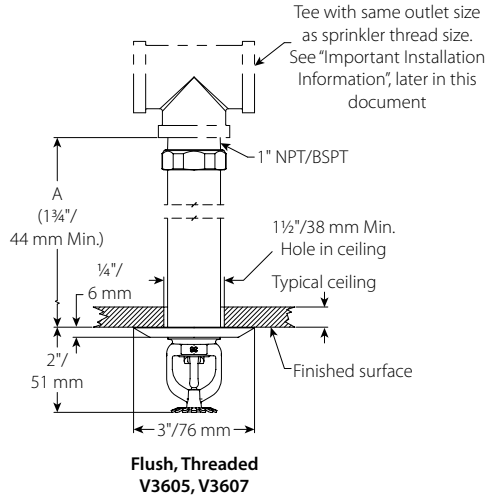
Sleeve and Skirt, Grooved
V3605, V3607

For wet system installation or dry/preaction systems installed in areas above 40°F/5°C

Standard offering includes made-on escutcheon with "A" dimension shown above. Use the "Adjustments for Optional Interchangeable Escutcheons" table when making optional field adjustments to the standard ordered escutcheon.

Adjustments for Optional Interchangeable Escutcheons	
Escutcheon	"A" Dimension Adjustment
Plain Barrel	A = A
Flush	A = -1/4"/6mm
Recessed	A = +1/4"/6mm
Slv/Skrt	A = -1 3/8"/35mm

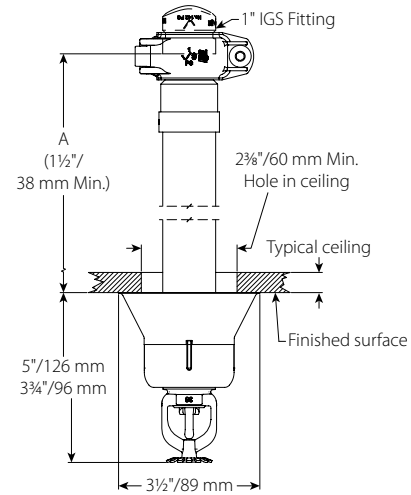
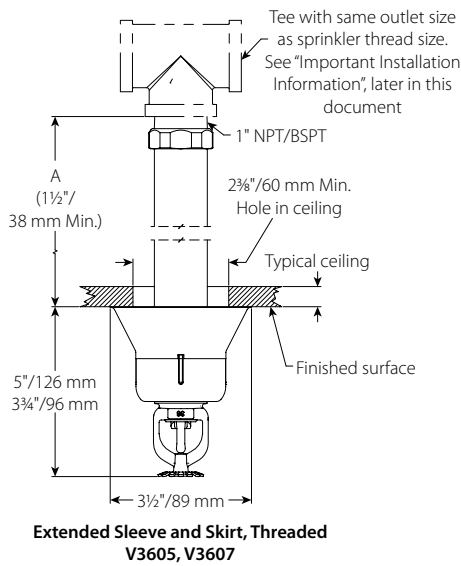
4.0 DIMENSIONS (CONTINUED)



For wet system installation or dry/preaction systems installed in areas above 40°F/5°C

Standard offering includes made-on escutcheon with "A" dimension shown above. Use the "Adjustments for Optional Interchangeable Escutcheons" table when making optional field adjustments to the standard ordered escutcheon.

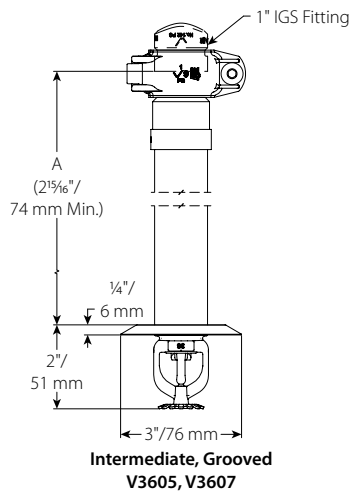
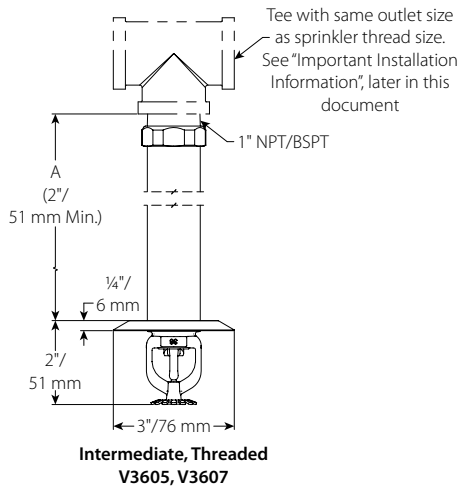
Adjustments for Optional Interchangeable Escutcheons	
Escutcheon	"A" Dimension Adjustment
Plain Barrel	A = A
Flush	A = -1/4"/6mm
Recessed	A = +1/4"/6mm
Slv/Skrt	A = -1 3/8"/35mm



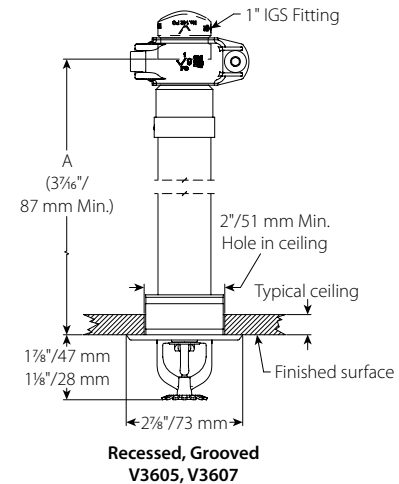
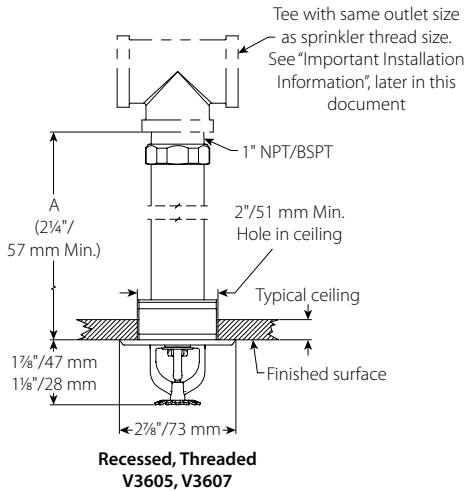
For wet system installation or dry/preaction systems installed in areas above 40°F/5°C

Extended escutcheons are not available as interchangeable.

4.0 DIMENSIONS (CONTINUED)



For wet system installation or dry/preaction systems installed in areas above 40°F/5°C

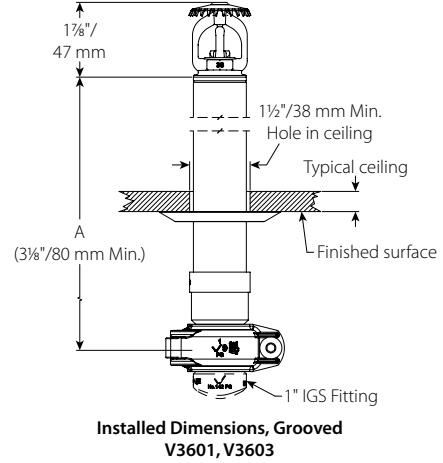
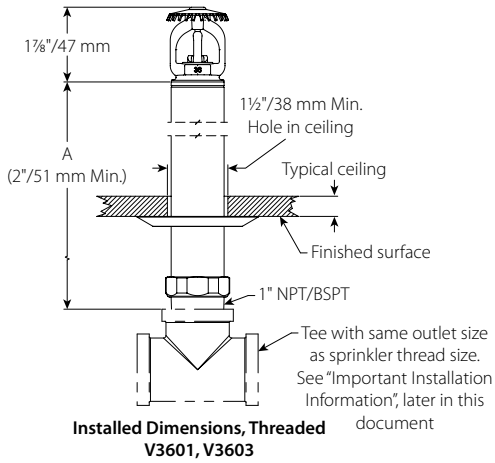


For wet system installation or dry/preaction systems installed in areas above 40°F/5°C

Standard offering includes made-on escutcheon with "A" dimension shown above. Use the "Adjustments for Optional Interchangeable Escutcheons" table when making optional field adjustments to the standard ordered escutcheon.

Adjustments for Optional Interchangeable Escutcheons	
Escutcheon	"A" Dimension Adjustment
Plain Barrel	A = A
Flush	A = -1/4"/6mm
Recessed	A = +1/4"/6mm
Slv/Skrt	A = -1 3/8"/35mm

4.0 DIMENSIONS (CONTINUED)



For wet system installation or dry/preaction systems installed in areas above 40°F/5°C

Standard offering includes made-on escutcheon with "A" dimension shown above. Use the "Adjustments for Optional Interchangeable Escutcheons" table when making optional field adjustments to the standard ordered escutcheon.


Adjustments for Interchangeable Escutcheons	
Escutcheon	"A" Dimension Adjustment
Plain Barrel	A = A
Flush	A = -1/4"/6mm
Recessed	A = +1/4"/6mm
Slv/Skrt	A = -1 3/8"/35mm

5.0 PERFORMANCE

Sprinkler is to be installed and designed as per NFPA, FM Datasheets, or any local standards.

6.0 NOTIFICATIONS

⚠ WARNING



- Read and understand all instructions before attempting to install any Victaulic products.
- Always verify that the piping system has been completely depressurized and drained immediately prior to installation, removal, adjustment, or maintenance of any Victaulic products.
- Wear safety glasses, hardhat, and foot protection.

Failure to follow these instructions could result in death or serious personal injury and property damage.

- These products shall be used only in fire protection systems that are designed and installed in accordance with current, applicable National Fire Protection Association (NFPA 13, 13D, 13R, etc.) standards, or equivalent standards, and in accordance with applicable building and fire codes. These standards and codes contain important information regarding protection of systems from freezing temperatures, corrosion, mechanical damage, etc.
- The installer shall understand the use of this product and why it was specified for the particular application.
- The installer shall understand common industry safety standards and potential consequences of improper product installation.
- It is the system designer's responsibility to verify suitability of materials for use with the intended fluid media within the piping system and external environment.
- The material specifier shall evaluate the effect of chemical composition, pH level, operating temperature, chloride level, oxygen level, and flow rate on materials to confirm system life will be acceptable for the intended service.

Failure to follow installation requirements and local and national codes and standards could compromise system integrity or cause system failure, resulting in death or serious personal injury and property damage.

7.0 REFERENCE MATERIALS

Ratings: All glass bulbs are rated for temperatures from -67°F/-55°C to those shown in the table below.

[1-40: Victaulic FireLock™ Automatic Sprinklers Installation and Maintenance Instructions](#)

[1-V9: Style V9 Victaulic FireLock™ IGS™ Installation-Ready™ Sprinkler Coupling Installation Instructions](#)

User Responsibility for Product Selection and Suitability

Each user bears final responsibility for making a determination as to the suitability of Victaulic products for a particular end-use application, in accordance with industry standards and project specifications, and the applicable building codes and related regulations as well as Victaulic performance, maintenance, safety, and warning instructions. Nothing in this or any other document, nor any verbal recommendation, advice, or opinion from any Victaulic employee, shall be deemed to alter, vary, supersede, or waive any provision of Victaulic Company's standard conditions of sale, installation guide, or this disclaimer.

Intellectual Property Rights

No statement contained herein concerning a possible or suggested use of any material, product, service, or design is intended, or should be construed, to grant any license under any patent or other intellectual property right of Victaulic or any of its subsidiaries or affiliates covering such use or design, or as a recommendation for the use of such material, product, service, or design in the infringement of any patent or other intellectual property right. The terms "Patented" or "Patent Pending" refer to design or utility patents or patent applications for articles and/or methods of use in the United States and/or other countries.

Note

This product shall be manufactured by Victaulic or to Victaulic specifications. All products to be installed in accordance with current Victaulic installation/assembly instructions. Victaulic reserves the right to change product specifications, designs and standard equipment without notice and without incurring obligations.

Installation

Reference should always be made to the Victaulic installation handbook or installation instructions of the product you are installing. Handbooks are included with each shipment of Victaulic products, providing complete installation and assembly data, and are available in PDF format on our website at www.victaulic.com.

Warranty

Refer to the Warranty section of the current Price List or contact Victaulic for details.

Trademarks

Victaulic and all other Victaulic marks are the trademarks or registered trademarks of Victaulic Company, and/or its affiliated entities, in the U.S. and/or other countries.