

Victaulic® FireLock™ Series FL-QR/DRY/ST

Dry, Quick Response

Pendent and Recessed Pendent, K11.2 (16.0)



1.0 PRODUCT DESCRIPTION

QUICK RESPONSE PENDENT DRY SPRINKLERS	
SIN	V4002
ORIENTATION	Pendent
K-FACTOR ¹	11.2 Imp./16.1 S.I.
CONNECTION	1" NPT/25mm BSPT/1" IGS
MAX. WORKING PRESSURE	175 psi (1200 kPa)
ESCUTCHEON	Plain/Flush/Sleeve and Skirt

QUICK RESPONSE RECESSED PENDENT DRY SPRINKLERS	
SIN	V4002
ORIENTATION	PENDENT
K-FACTOR ¹	11.2 Imp./16.1 S.I.
CONNECTION	1" NPT/25mm BSPT/1" IGS
MAX. WORKING PRESSURE	175 psi (1200 kPa)
ESCUTCHEON	Recessed

Factory Hydrostatic Test: 100% @ 500 psi/3447 kPa/34 bar

Min. Operating Pressure: UL: 7 psi/48 kPa/.5 bar

Temperature Rating: See tables in section 2.0

¹ For K-Factor when pressure is measured in bar, multiply S.I. units by 10.0.

ALWAYS REFER TO ANY NOTIFICATIONS AT THE END OF THIS DOCUMENT REGARDING PRODUCT INSTALLATION, MAINTENANCE OR SUPPORT.

2.0 CERTIFICATION/LISTINGS



APPROVALS/LISTINGS		
SIN	V4002	V4002
Nominal K Factor Imperial	11.2	11.2
Nominal K Factor S.I. ²	16.1	16.1
Orientation	Pendent	Pendent
Escutcheon	Plain/Flush/Slv & Skt	Recessed
Approved Temperature Ratings F°/C°		
cULus	155°F/68°C	155°F/68°C
	175°F/79°C	175°F/79°C
	200°F/93°C	200°F/93°C
	286°F/141°C	286°F/141°C

² For K-Factor when pressure is measured in Bar, multiply S.I. units by 10.

NOTE

- Listings and approval as of printing.

COMMODITY SELECTION AND DESIGN CRITERIA OVERVIEW FOR MODEL V4002	
Storage Type	NFPA
Open Frame (that is, no solid shelves) Single, Double, Multiple-Row, or Portable Rack Storage of Class I-IV and Group A or B Plastics	NFPA 13
Solid Pile or Palletized Storage of Class I-IV and Group A or B Plastics	NFPA 13
Idle Pallet Storage	NFPA 13
Rubber Tire Storage	NFPA 13
Rolled Paper Storage (Refer to the standard.)	NFPA 13
Flammable Liquid Storage (Refer to the standard.)	NFPA 30
Aerosol Storage (Refer to the standard.)	NFPA 30B

3.0 SPECIFICATIONS – MATERIAL

Deflector: Brass or Stainless Steel

Bulb Nominal Diameter: 3.0mm

Split Spacer: Stainless Steel

Load Screw: Brass

Pip Cap: Stainless Steel

Spring Seal Assembly: PTFE coated Beryllium nickel alloy and stainless steel

Frame: Brass

Inlet Fitting: Brass

Outer Tube: Galvanized steel pipe

Inner Tube: Stainless Steel

Orifice Insert: Stainless Steel

Escutcheon/Plate: Stainless steel

Torsion Spring: SST wire

Installation Wrench: Ductile iron

Sprinkler Frame Finishes:

- Plain brass
- Chrome plated
- White polyester painted^{3, 4}
- Bright White polyester painted^{3, 4}
- Flat black polyester painted^{3, 4}
- Custom polyester painted^{3, 4}
- VC-250⁵

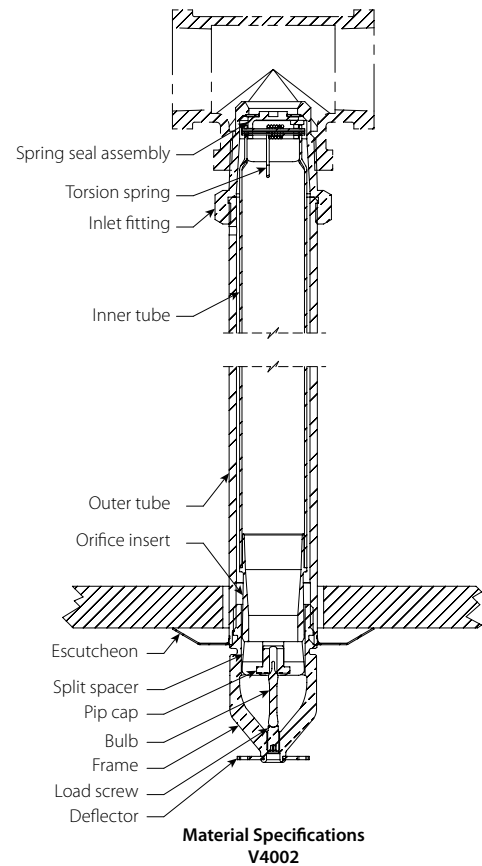
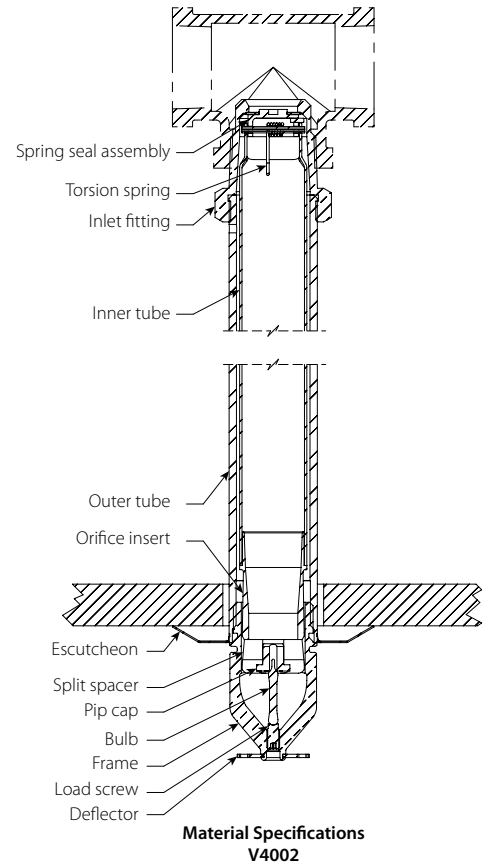
³ Not available on the Intermediate Level Style Pendant.

⁴ UL Listed for corrosion resistance.

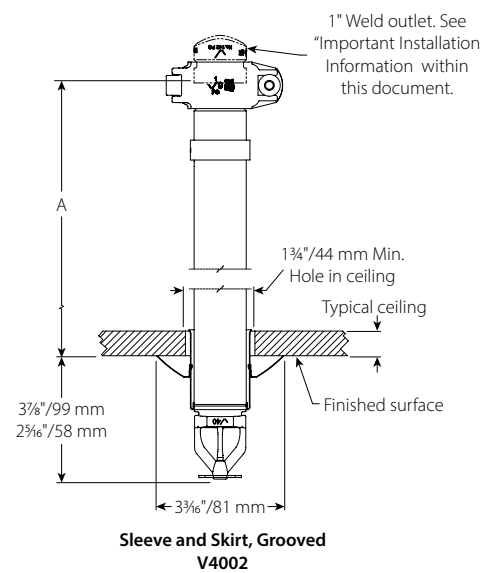
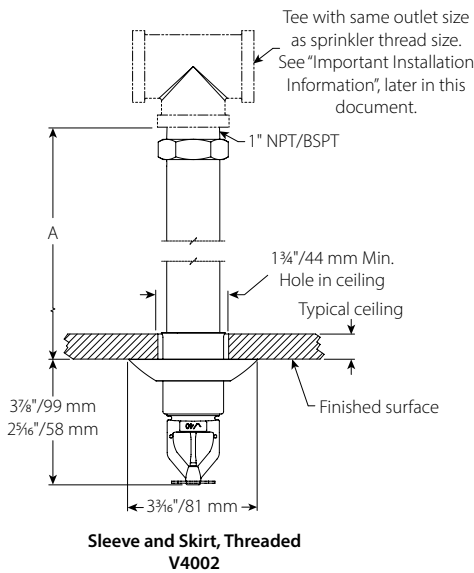
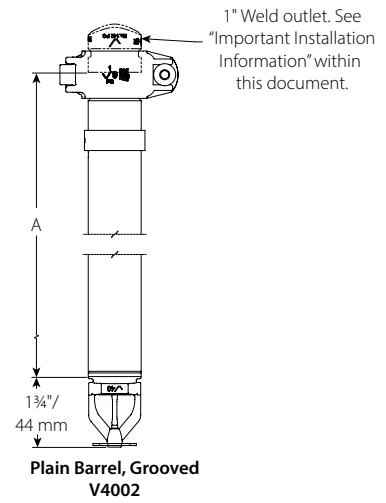
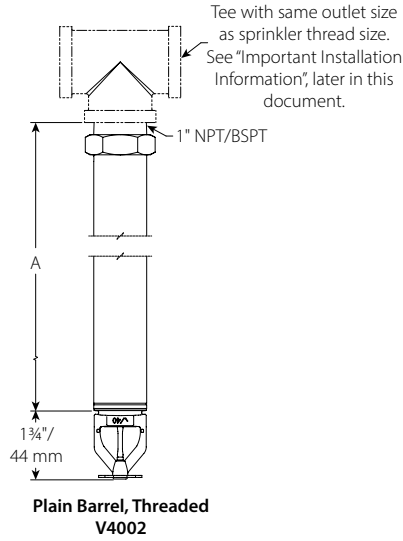
⁵ UL Listed and FM Approved for corrosion resistance.

NOTE

- Weather resistant escutcheon available upon request.
- For cabinets and other accessories refer to separate sheet.



4.0 DIMENSIONS

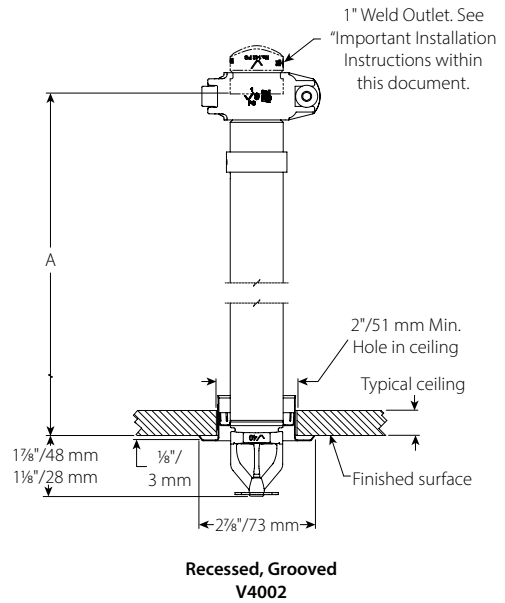
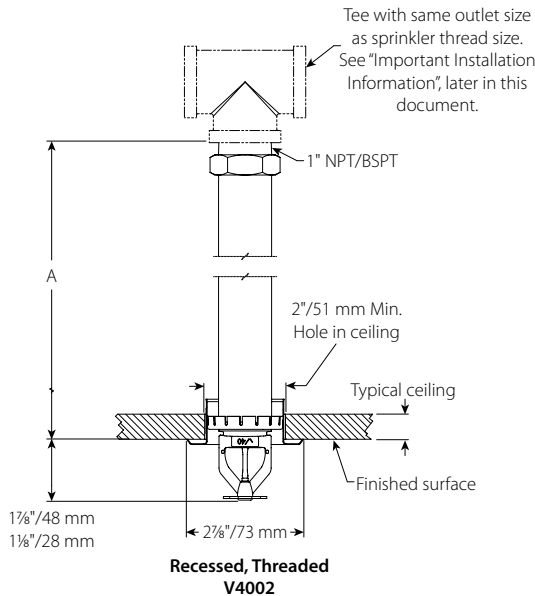
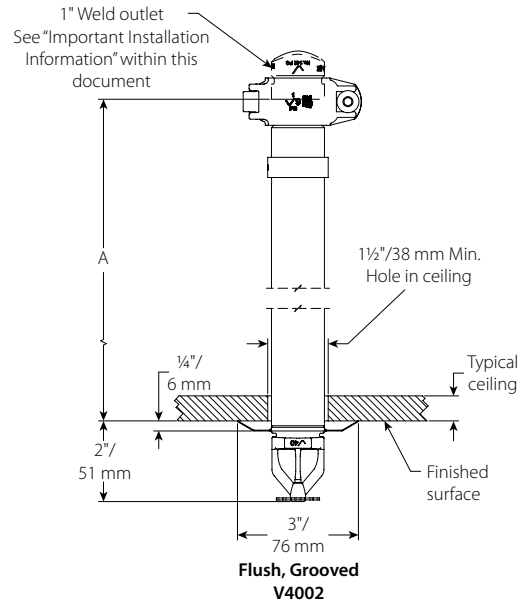
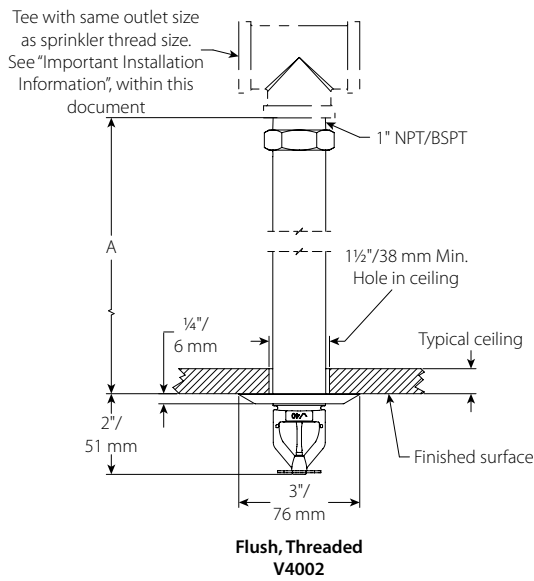


Dry Sprinkler Take Out Dimensions "A"						
Length	Flush		Recessed		Sleeve & Skirt	
	1" NPT/1" BSPT	IGS Grooved	1" NPT/1" BSPT	IGS Grooved	1" NPT/1" BSPT	IGS Grooved
inches mm	inches mm	inches mm	inches mm	inches mm	inches mm	inches mm
12	12.00	13.14	12.50	13.64	10.98	12.03
300	304.8	333.8	317.5	364.4	276.6	305.6
18	18.00	19.14	18.50	19.64	16.89	18.03
450	457.2	486.1	469.9	498.8	429.0	458.0
24	24.00	25.14	24.50	25.64	22.89	24.03
600	609.6	613.2	622.3	651.3	518.4	610.4
30	30.00	31.14	30.50	31.64	28.89	30.03
750	762.0	791.0	774.7	803.7	733.8	762.8
36	36.00	37.14	36.50	37.64	34.89	36.03
900	914.4	943.4	927.1	956.1	866.2	915.2

NOTE

- IGS "A" dimensions are measured to the end of the pipe.
- All three escutcheon options of the matching finish will be included with each sprinkler (see sprinkler finishes).

4.0 DIMENSIONS (CONTINUED)



Dry Sprinkler Take Out Dimensions "A"							
Length	Flush		Recessed		Sleeve & Skirt		
	1" NPT/1"BSPT	IGS Grooved	1"NPT/1"BSPT	IGS Grooved	1"NPT/1"BSPT	IGS Grooved	
inches	inches	inches	inches	inches	inches	inches	
mm	mm	mm	mm	mm	mm	mm	
12	12.00	13.14	12.50	13.64	10.98	12.03	
300	304.8	333.8	317.5	364.4	276.6	305.6	
18	18.00	19.14	18.50	19.64	16.89	18.03	
450	457.2	486.1	469.9	498.8	429.0	458.0	
24	24.00	25.14	24.50	25.64	22.89	24.03	
600	609.6	613.2	622.3	651.3	518.4	610.4	
30	30.00	31.14	30.50	31.64	28.89	30.03	
750	762.0	791.0	774.7	803.7	733.8	762.8	
36	36.00	37.14	36.50	37.64	34.89	36.03	
900	914.4	943.4	927.1	956.1	866.2	915.2	

NOTE


- IGS "A" dimensions are measured to the end of the pipe.
- All three escutcheon options of the matching finish will be included with each sprinkler (see sprinkler finishes).

5.0 PERFORMANCE

Sprinkler is to be installed and designed as per NFPA, FM Datasheets, or any local standards.

6.0 NOTIFICATIONS

⚠ WARNING



- Read and understand all instructions before attempting to install any Victaulic products.
- Always verify that the piping system has been completely depressurized and drained immediately prior to installation, removal, adjustment, or maintenance of any Victaulic products.
- Wear safety glasses, hardhat, and foot protection.

Failure to follow these instructions could result in death or serious personal injury and property damage.

- These products shall be used only in fire protection systems that are designed and installed in accordance with current, applicable National Fire Protection Association (NFPA 13, 13D, 13R, etc.) standards, or equivalent standards, and in accordance with applicable building and fire codes. These standards and codes contain important information regarding protection of systems from freezing temperatures, corrosion, mechanical damage, etc.
- The installer shall understand the use of this product and why it was specified for the particular application.
- The installer shall understand common industry safety standards and potential consequences of improper product installation.
- It is the system designer's responsibility to verify suitability of materials for use with the intended fluid media within the piping system and external environment.
- The material specifier shall evaluate the effect of chemical composition, pH level, operating temperature, chloride level, oxygen level, and flow rate on materials to confirm system life will be acceptable for the intended service.

Failure to follow installation requirements and local and national codes and standards could compromise system integrity or cause system failure, resulting in death or serious personal injury and property damage.

7.0 REFERENCE MATERIALS

Ratings: All glass bulbs are rated for temperatures from -67°F/-55°C.

[1-40: Victaulic FireLock™ Automatic Sprinklers Installation and Maintenance Instructions](#)

[I-V9: Style V9 Victaulic FireLock™ IGS™ Installation-Ready™ Sprinkler Coupling Installation Instructions](#)

User Responsibility for Product Selection and Suitability

Each user bears final responsibility for making a determination as to the suitability of Victaulic products for a particular end-use application, in accordance with industry standards and project specifications, and the applicable building codes and related regulations as well as Victaulic performance, maintenance, safety, and warning instructions. Nothing in this or any other document, nor any verbal recommendation, advice, or opinion from any Victaulic employee, shall be deemed to alter, vary, supersede, or waive any provision of Victaulic Company's standard conditions of sale, installation guide, or this disclaimer.

Intellectual Property Rights

No statement contained herein concerning a possible or suggested use of any material, product, service, or design is intended, or should be construed, to grant any license under any patent or other intellectual property right of Victaulic or any of its subsidiaries or affiliates covering such use or design, or as a recommendation for the use of such material, product, service, or design in the infringement of any patent or other intellectual property right. The terms "Patented" or "Patent Pending" refer to design or utility patents or patent applications for articles and/or methods of use in the United States and/or other countries.

Note

This product shall be manufactured by Victaulic or to Victaulic specifications. All products to be installed in accordance with current Victaulic installation/assembly instructions. Victaulic reserves the right to change product specifications, designs and standard equipment without notice and without incurring obligations.

Installation

Reference should always be made to the Victaulic installation handbook or installation instructions of the product you are installing. Handbooks are included with each shipment of Victaulic products, providing complete installation and assembly data, and are available in PDF format on our website at www.victaulic.com.

Warranty

Refer to the Warranty section of the current Price List or contact Victaulic for details.

Trademarks

Victaulic and all other Victaulic marks are the trademarks or registered trademarks of Victaulic Company, and/or its affiliated entities, in the U.S. and/or other countries.